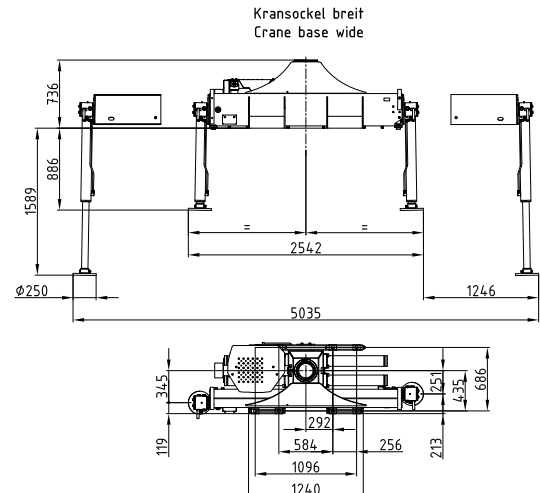
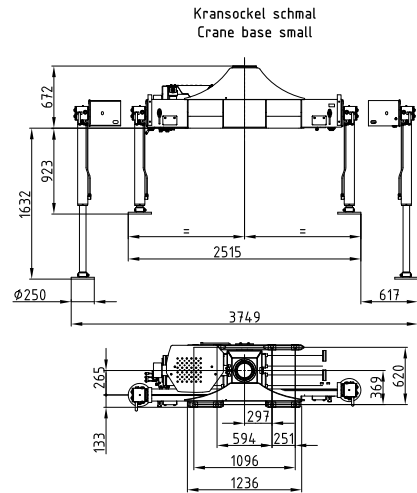
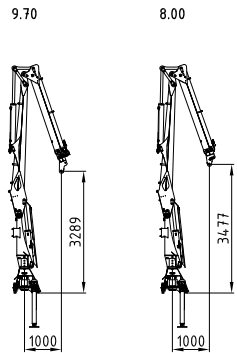
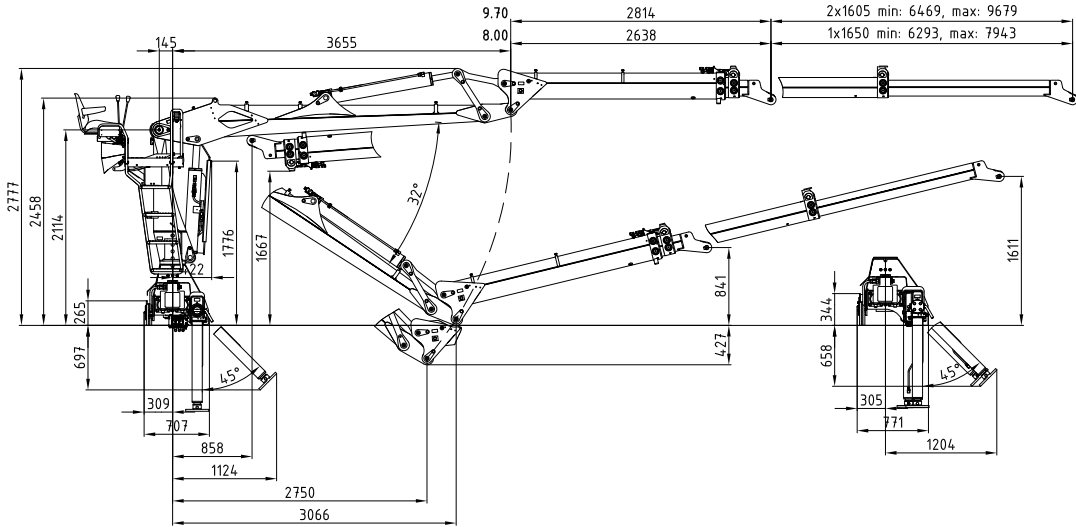


9L 10Lp+

73 - 93 kNm	8,0 - 9,7 m	3,29 - 3,48 m	3,8 - 5 m	1.950 - 2.020 kg	420°	20 kNm	215 - 255 bar	1x Minimum 80 l/min ~ 31 kW	2x Minimum 60 l/min ~ 47 kW	LS Minimum 150 l/min ~ 60 kW



	4m	5m	6m	7m	8m	9m	
9L9.70	1870	1440	1200	1020	860	770	[kg]
10Lp+9.70	2215	1700	1415	1200	1010	900	[kg]
9L8.00	2000	1600	1340	1130			[kg]
10Lp+8.00	2365	1890	1580	1330			[kg]

